

**STEWART
CONNECTOR
SYSTEMS, INC.**

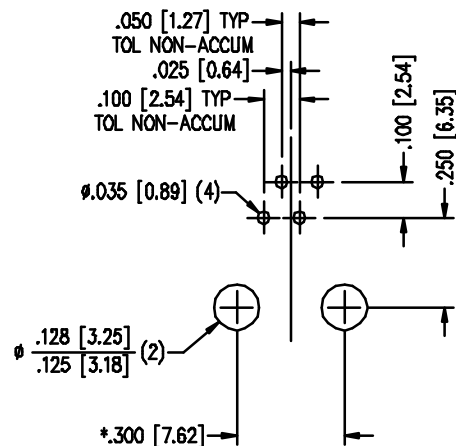
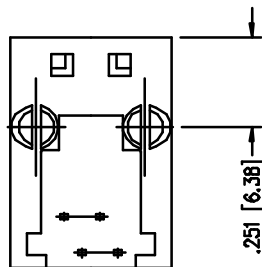
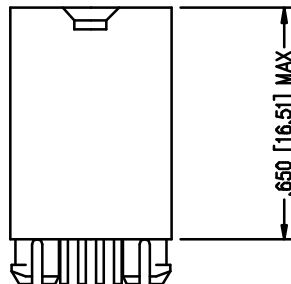
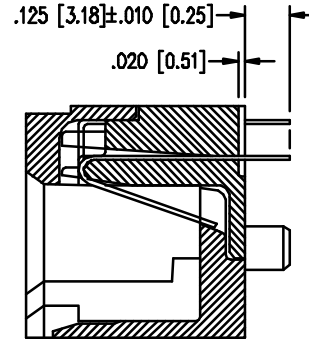
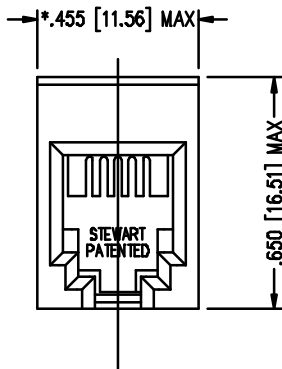
R.D. 2, BOX 2020 GLEN ROCK, PENNSYLVANIA 17327

PART NO. SS-6544-NF

FOUR CONTACT, FOUR POSITION, VERTICAL MOUNT JACK

-NF NON-FLANGE

**FOR REFERENCE
ONLY**



NOTES:

- TOLERANCE COMPLY WITH F.C.C. DIMENSION REQUIREMENTS ALL OTHERS $\pm .005 [0.13]$ UNLESS OTHERWISE SPECIFIED.
- DIMENSIONS SHOWN WITH "*" TO BE CENTRAL ABOUT CENTER LINE

P.C.B. RECOMMENDED HOLE LAYOUT
SEEN FROM COMPONENT SIDE
TOLERANCE $\pm .003 [0.08]$ UNLESS OTHERWISE SPECIFIED

AVAILABLE WITH:

- 30 & 50, MICRO-INCH SELECTIVE GOLD PLATING
- LOADED 1 - 4 CONTACTS

CT650005A1